

5G AI Motorized Pro Bullet Plus Network Camera



IP67

Motorized Lens



DATASHEET

KEY FEATURES

- ▶ Smart IR II (Combining the High Beam and Low Beam to adjust IR intensity to fit different lighting conditions.)
- ▶ P2P (Remotely access the camera using 5G network via P2P with hassle-free setup and easy connection.)
- ▶ HLC (High Light Compensation. Improving image visibility under strong light sources.)
- ▶ Defog (Defog technology. Restoring clear images in hazy and foggy weather.)
- ▶ Integrated Cable Management (Combining the power interface, PoE port, and other interfaces in the base neatly.)
- ▶ 256G (Supporting ultra-large external microSD/SDHC/SDXC card storage up to 256G.)
- ▶ Smart Stream (Bandwidth, storage and bit rate are saved with Smart Stream On, eg, H.265+ saves 70%~80% bandwidth that of H.264.)

5G Technology

Camera responsiveness and real-time monitoring can be greatly enhanced by the larger bandwidth and lower latency of 5G networks, not to mention a leap in ultra-high-definition video or images. The 5G camera comes with its 5G cellular module, which is fit for some scenarios where wiring is inconvenient, and its higher performance of mobility, security and coverage also bring new opportunities for the industry.



30fps@4K

Providing 4K HD resolution with frame rate of 30fps, the camera performs well in catching detailed image regardless of the moving speed.



AI Video Analytics

- 8 intelligent VCA modes powered by AI engine, which can intelligently filter objects to focus on human and vehicle detection.
- People Counting technology provides high accuracy and real-time data based on AI algorithm with statistic reports.
- Face Detection function detects human faces in the monitoring scene and captures the snapshots, which greatly enhances the monitoring efficiency.



Easy Deployment and Compact Structure

5G antenna is built outside the camera and the 5G module is directly merged inside the camera. By inserting the SIM card, you can monitor in places where network wiring is not convenient. Versatile interface and integrated junction box ensure installation neat and tidy.



5G AI Motorized Pro Bullet Plus Network Camera



	Model	MS-C2966-RF(I)GPC (2MP)	MS-C5366-F(I)GPC (5MP)
Camera	Image Sensor	1/2.8" Progressive Scan CMOS	
	Min. Illumination	Color: 0.005Lux@F1.4 B/W: 0Lux with IR on	Color: 0.008Lux@F1.4 B/W: 0Lux with IR on
	WDR	140dB Super WDR	120dB Super WDR
	Shutter Time	1/100000s~1s	
	IR Distance	Up to 65m(2.7~13.5mm) Up to 100m(7~22mm)	
	Day/Night Mode	Day/Night/Auto/Customize/Schedule	
	S/N	>55dB	
Lens	Lens	Motorized 2.7~13.5mm/7~22mm@F1.4 P-Iris(Optional)	
	Field of View	H113°~H33°/D130°~D38°/V60°~V18° (2.7~13.5mm) H45°~H17°/D53°~D20°/V25°~V9° (7~22mm)	H113°~H33°/D138°~D42°/V83°~V25° (2.7~13.5mm) H42°~H16°/D53°~D20°/V32°~V12° (7~22mm)
	Mount	Φ14	
	Focus Control	Auto/Manual	
	Iris Control (Optional for I Series)	Auto/Manual	
Video	Max. Image Resolution	1920x1080	2592x1944
	Primary Stream	60Hz: 60fps@(1920x1080, 1280x960, 1280x720, 704x576) 50Hz: 50fps@(1920x1080, 1280x960, 1280x720, 704x576)	60Hz: 30fps@(2592x1944), 45fps@(2048x1536), 60fps@(1920x1080, 1280x960, 1280x720, 704x576) 50Hz: 25fps@(2592x1944), 45fps@(2048x1536), 50fps@(1920x1080, 1280x960, 1280x720, 704x576)
	Secondary Stream	60Hz: 60fps@(704x576, 640x480, 640x360, 352x288, 320x240, 320x192, 320x180) 50Hz: 50fps@(704x576, 640x480, 640x360, 352x288, 320x240, 320x192, 320x180)	60Hz: 30fps@(704x576, 640x480, 640x360, 352x288, 320x240, 320x192, 320x180) 50Hz: 25fps@(704x576, 640x480, 640x360, 352x288, 320x240, 320x192, 320x180)
	Tertiary Stream	60Hz: 30fps@(1920x1080, 1280x720, 704x576, 640x480, 640x360, 320x240, 320x192, 320x180) 50Hz: 25fps@(1920x1080, 1280x720, 704x576, 640x480, 640x360, 320x240, 320x192, 320x180)	
	Video Compression	H.265*/H.265(HEVC)/H.264*/H.264/MJPEG	
	Video Bit Rate	16Kbps~16Mbps(CBR/VBR Adjustable)	
	Privacy Masking	Up to 28 areas(24 mask areas and 4 mosaic areas)	
	ROI	Up to 8 areas	
	Image Setting	Brightness/Contrast/Saturation/Sharpness	
	Interface	Ethernet	1*RJ45 10M/100M Ethernet Port
Audio I/O		1/1	
Alarm I/O		1/1	

5G AI Motorized Pro Bullet Plus Network Camera



Mobile Communication Parameter	Wireless Communication		Support 5G/4G/3G
	Frequency Bands	5G NR	n1/n2/n3/n5/n7/n8/n12/n20/n28/n41/n66/n71/n77/n78/n79
		LTE-FDD	B1/B2/B3/B4/B5/B7/B8/B9/B12/B13/B14/B17/B18/B19/B20/B21(TBD)/ B25/B26/B28/B29/B30/B32/B66/B71
		LTE-TDD	B34/B38/39/B40/B41/B42/B48
		LAA	B46
		WCDMA	B1/B2/B3/B4/B5/B6/B8/B19
	Wireless Transmission Speed	SA	DL 3.3Gbps; UL 250Mbps
NSA		DL 3.4Gbps; UL 200Mbps	
LTE		DL 2.0Gbps; UL 150Mbps	
WCDMA		DL 42Mbps; UL 5.76Mbps	
SIM Card		Nano SIM	
Network	Network Storage	NAS(Support NFS, SMB/CIFS), ANR	
	Protocol	IPv4/IPv6, ARP, TCP, UDP, RTCP, RTP, RTSP, RTMP, HTTP, HTTPS, DNS, DDNS, DHCP, FTP, NTP, SMTP, SNMP, UPnP, Bonjour, SIP, PPPoE, VLAN, 802.1x, QoS, IGMP, ICMP, SSL	
Audio	Audio Compression	G.711/AAC/G.722/G.726	
	Audio Sampling Rate	8/16/32/44.1/48KHz	
	Audio Bit Rate	16~256kbps	
	Two-way Audio	Support	
Intelligent Analytics	Video Analysis	Region Entrance, Region Exiting, Advanced Motion Detection, Tamper Detection, Line Crossing, Loitering, Object Left, Object Removed	
	Face Detection	Detect and capture faces, get real-time snapshots	
	People Counting& Report	Count the number of people entering or exiting, up to 4 detection areas for regional people counting	
System	Storage	Support microSD/SDHC/SDXC Card Local Storage, up to 256G	
	Advanced Function	Heat Map, BLC, HLC, 2D DNR, 3D DNR, Defog, AWB, EIS, IP Address Filtering, AGC, Anti-flicker, Corridor Mode, Deblur, Watermark	
	SIP/VoIP Support	Yes, Voice & Video-over-IP	
	Event Trigger	Motion Detection, Network Disconnection, External Input, Audio Alarm, etc.	
	Event Action	FTP Upload, SMTP Upload, SD Card Record, External Output, SIP Phone, HTTP Notification, etc.	
	System Compatibility	ONVIF Profile G & Q & S & T, API	

5G AI Motorized Pro Bullet Plus Network Camera



General	Working Temperature	-40°C~60°C	
	Working Humidity	0~90%(Non-condensing)	
	Power Supply	PoE (802.3at) / DC 12V±10%	
	Power Consumption	9W MAX 14W MAX (With IR on)	10W MAX 15W MAX (With IR on)
	Surge Protection	4KV	
	Weather Proof	Up to IP67-rated for Weather-resistant Performance (Only for camera body)	
	Weight	1650g	
	Dimensions	320mmX134mmX126mm 320mmX134mmX208mm (With Antennas)	
	Warranty	3/5 Years	

5G AI Motorized Pro Bullet Plus Network Camera



	Model	MS-C8266-F(I)GPC (4K)
Camera	Image Sensor	1/1.8" Progressive Scan CMOS
	Min. Illumination	Color: 0.009Lux@F1.4 B/W: 0Lux with IR on
	WDR	120dB Super WDR
	Shutter Time	1/100000s~1s
	IR Distance	Up to 65m
	Day/Night Mode	Day/Night/Auto/Customize/Schedule
	S/N	>55dB
	Lens	Lens
Field of View		H116°~H48°/D134°~D55°/V65°~V27°
Mount		Φ14
Focus Control		Auto/Manual
Iris Control (Optional for I Series)		Auto/Manual
Video	Max. Image Resolution	3840x2160
	Primary Stream	60Hz: 30fps@(3840x2160, 3072x2048, 2592x1944, 2592x1520, 2048x1536, 1920x1080, 1280x960, 1280x720, 704x576) 50Hz: 25fps@(3840x2160, 3072x2048, 2592x1944, 2592x1520, 2048x1536, 1920x1080, 1280x960, 1280x720, 704x576)
	Secondary Stream	60Hz: 30fps@(704x576, 640x480, 640x360, 352x288, 320x240, 320x192, 320x180) 50Hz: 25fps@(704x576, 640x480, 640x360, 352x288, 320x240, 320x192, 320x180)
	Tertiary Stream	60Hz: 30fps@(1920x1080, 1280x720, 704x576, 640x480, 640x360, 320x240, 320x192, 320x180) 50Hz: 25fps@(1920x1080, 1280x720, 704x576, 640x480, 640x360, 320x240, 320x192, 320x180)
	Video Compression	H.265*/H.265(HEVC)/H.264*/H.264/MJPEG
	Video Bit Rate	16Kbps~16Mbps(CBR/VBR Adjustable)
	Privacy Masking	Up to 28 areas(24 mask areas and 4 mosaic areas)
	ROI	Up to 8 areas
	Image Setting	Brightness/Contrast/Saturation/Sharpness
	Interface	Ethernet
Audio I/O		1/1
Alarm I/O		1/1

5G AI Motorized Pro Bullet Plus Network Camera



Mobile Communication Parameter	Wireless Communication		Support 5G/4G/3G
	Frequency Bands	5G NR	n1/n2/n3/n5/n7/n8/n12/n20/n28/n41/n66/n71/n77/n78/n79
		LTE-FDD	B1/B2/B3/B4/B5/B7/B8/B9/B12/B13/B14/B17/B18/B19/B20/B21(TBD)/ B25/B26/B28/B29/B30/B32/B66/B71
		LTE-TDD	B34/B38/39/B40/B41/B42/B48
		LAA	B46
		WCDMA	B1/B2/B3/B4/B5/B6/B8/B19
	Wireless Transmission Speed	SA	DL 3.3Gbps; UL 250Mbps
NSA		DL 3.4Gbps; UL 200Mbps	
LTE		DL 2.0Gbps; UL 150Mbps	
WCDMA		DL 42Mbps; UL 5.76Mbps	
SIM Card		Nano SIM	
Network	Network Storage	NAS(Support NFS, SMB/CIFS), ANR	
	Protocol	IPv4/IPv6, ARP, TCP, UDP, RTCP, RTP, RTSP, RTMP, HTTP, HTTPS, DNS, DDNS, DHCP, FTP, NTP, SMTP, SNMP, UPnP, Bonjour, SIP, PPPoE, VLAN, 802.1x, QoS, IGMP, ICMP, SSL	
Audio	Audio Compression	G.711/AAC/G.722/G.726	
	Audio Sampling Rate	8/16/32/44.1/48KHz	
	Audio Bit Rate	16~256kbps	
	Two-way Audio	Support	
Intelligent Analytics	Video Analysis	Region Entrance, Region Exiting, Advanced Motion Detection, Tamper Detection, Line Crossing, Loitering, Object Left, Object Removed	
	Face Detection	Detect and capture faces, get real-time snapshots	
	People Counting& Report	Count the number of people entering or exiting, up to 4 detection areas for regional people counting	
System	Storage	Support microSD/SDHC/SDXC Card Local Storage, up to 256G	
	Advanced Function	Heat Map, BLC, HLC, 2D DNR, 3D DNR, Defog, AWB, EIS, IP Address Filtering, AGC, Anti-flicker, Corridor Mode, Deblur, Watermark	
	SIP/VoIP Support	Yes, Voice & Video-over-IP	
	Event Trigger	Motion Detection, Network Disconnection, External Input, Audio Alarm, etc.	
	Event Action	FTP Upload, SMTP Upload, SD Card Record, External Output, SIP Phone, HTTP Notification, etc.	
	System Compatibility	ONVIF Profile G & Q & S & T, API	

5G AI Motorized Pro Bullet Plus Network Camera

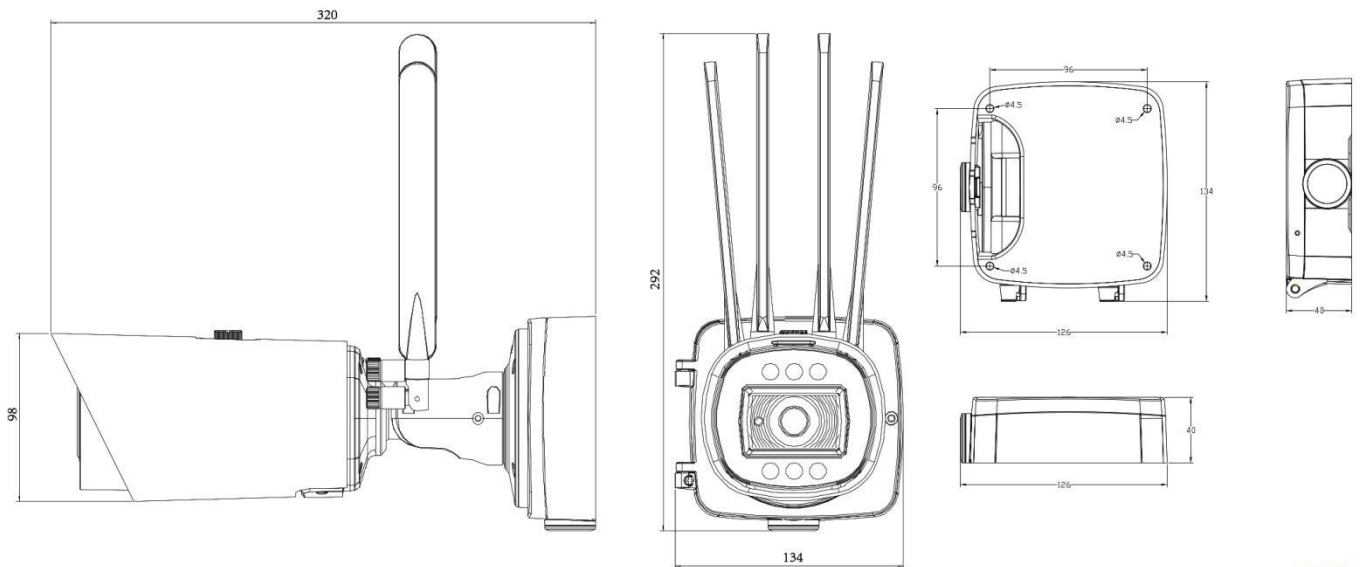
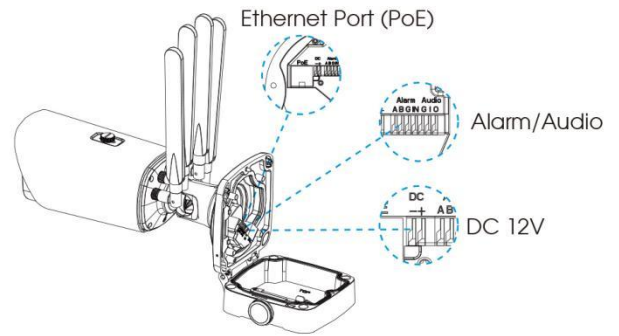
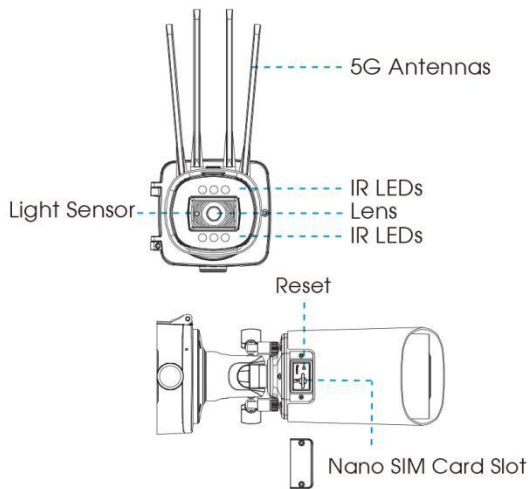


General	Working Temperature	-40°C~60°C
	Working Humidity	0~90%(Non-condensing)
	Power Supply	PoE (802.3at) / DC 12V±10%
	Power Consumption	10W MAX 16W MAX (With IR on)
	Surge Protection	4KV
	Weather Proof	Up to IP67-rated for Weather-resistant Performance (Only for camera body)
	Weight	1650g
	Dimensions	320mmX134mmX126mm 320mmX134mmX292mm (With Antennas)
	Warranty	3/5 Years

5G AI Motorized Pro Bullet Plus Network Camera



Structure Diagrams



Units: mm

Accessories Support

A62 Junction Box(Default)

Weight: 510g
Dimensions: 134*126*40mm



A01 Pole Mount

Weight: 720g
Dimensions: 170*51.5*152.6mm



A03 External Corner Bracket

Weight: 900g
Dimensions: 170*152.5*76.3mm



Milesight Technology | www.milesight.com
Contact Us: sales@milesight.com support@milesight.com

Add: 220 NE 51st Street, Oakland Park, Florida 33334, USA
Tel: +1-800-561-0485

Add: 925, Anyang SK V1 Center, LS-ro 116beon-gil, Dongan-gu, Anvng-si, Korea
Tel: +82-31-990-7732

Add: Building C09, Software Park Phase III, Xiamen 361024, Fujian, China
Tel: +86-592-5922772

