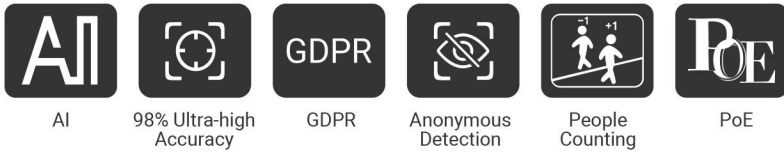


AI Workplace Occupancy Sensor



People Counting

Space Occupancy Detection



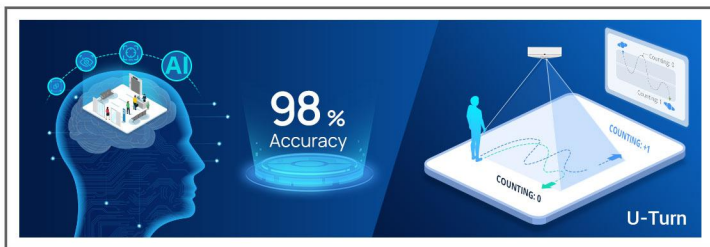
DATASHEET

KEY FEATURES

- ▶ **16 Custom People Counting Detection Regions** (Up to 16 customized regions amid the area can be set for precise detection.)
- ▶ **Large Detection Area** (The sensor covers a wide area of 78 square meters.)
- ▶ **High Installation Height** (AI Workplace Occupancy Sensor supports 3m or 6m high installation height, meeting different installation requirements and various applications.)
- ▶ **Exquisite Structure Design** (With ingenious design, AI Workplace Occupancy Sensor VS121 can aesthetically blends into the environments and even can be a decoration.)

AI Algorithm & Smart U-Turn Detection

Embedded AI algorithm, AI Workplace Occupancy Sensor VS121 is able to realize counting with up to 98% ultra-high accuracy. By detecting the U-shape tracks of people flow, the sensor's accuracy is guaranteed to avoid unnecessary people counting.



Space Occupancy Detection & Bi-directional People Counting

AI Workplace Occupancy Sensor is able to realize space occupancy detection, which detects people to discover the space status of being "in use" or "vacant". What's more, supporting bi-directional counting, the sensor with ultra-high 98% recognition rate gets more accurate and objective information.



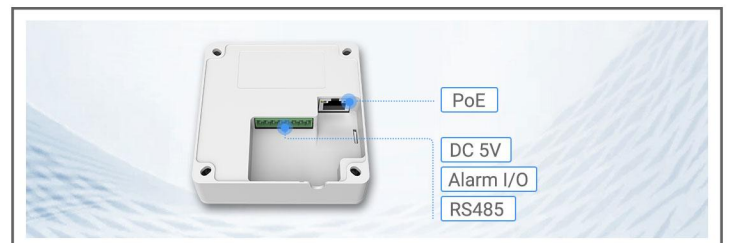
100% Anonymous Detection

AI Workplace Occupancy Sensor VS121 is GDPR-compliant. With blur mode and 8 custom mosaic areas, it transmits data with no personally identifiable information involved, 100% guaranteeing privacy protection at source.



Versatile Interfaces

Several interfaces such as PoE, DC, Alarm I/O and RS485 are available in the Multi-interface Version, offering more choices for easy management and various needs.



AI Workplace Occupancy Sensor

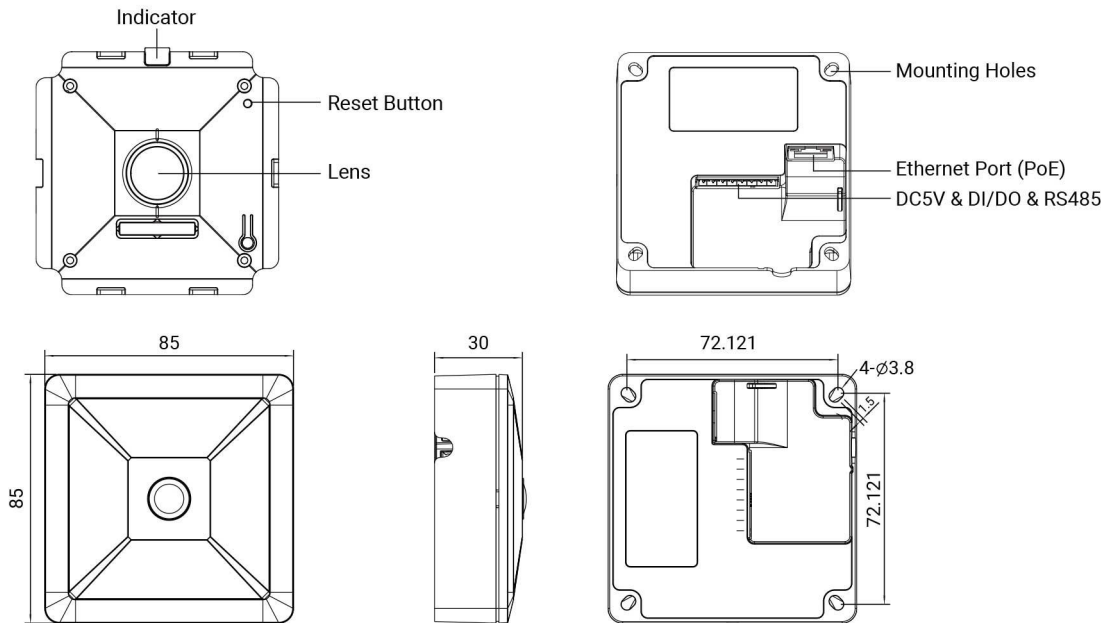


Model		VS121-P
Ethernet Transmission	Ethernet Port	1 × RJ45 10/100 Mbps (PoE PD)
	Network Protocol	HTTP, RTSP, NTP, SSH, etc.
People Counting	Field of View	190 ° Horizontal, 112 ° Vertical
	Recognition Range	Based on a Radius of 5 Meters (At the Height of 3m)
	Recognition Rate	Region Counting: Up to 95% Line Crossing Counting: Up to 98%
	Advanced Feature	Mapped Detection Region Customization, Filter U-Turns, Privacy Mask
Interface	Alarm In/Out	1/1
	Serial Interface	1 × RS485
	Button	1 × Reset Button
	LED Indicators	1 × Status
	Power Input	2-pin 3.5 mm Terminal Block
Physical Characteristics	Power Supply	5VDC / 2A by Terminal Block; 802.3af PoE
	Power Consumption	DC:3.5W; POE:4.5W
	Operating Temperature	-5°C ~ +55°C
	Storage Temperature	-20°C ~ +60°C
	Relative Humidity	0 ~ 95% (Non-condensing)
	Color&Weight	White, 186g
	Dimension	85 × 85 × 30 mm (3.35 × 3.35 × 1.18 in)
	Installation	Ceiling Mounting
Approvals	CE, FCC, RoHS	

AI Workplace Occupancy Sensor



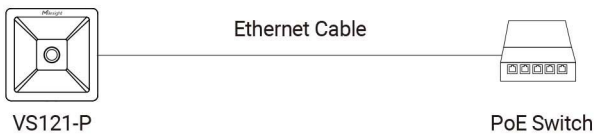
Structure Diagrams



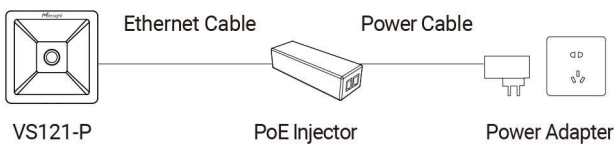
Power Supply

VS121-P can be powered by 802.3af standard PoE or DC 5V power adapter. Choose one of the following methods to power up the device.

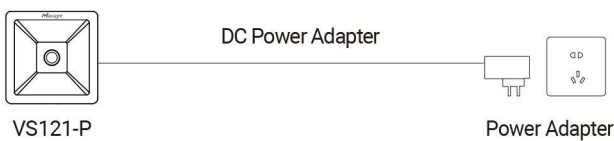
● Powered by PoE Switch



● Powered by PoE Injector



● Powered by DC Power Adapter



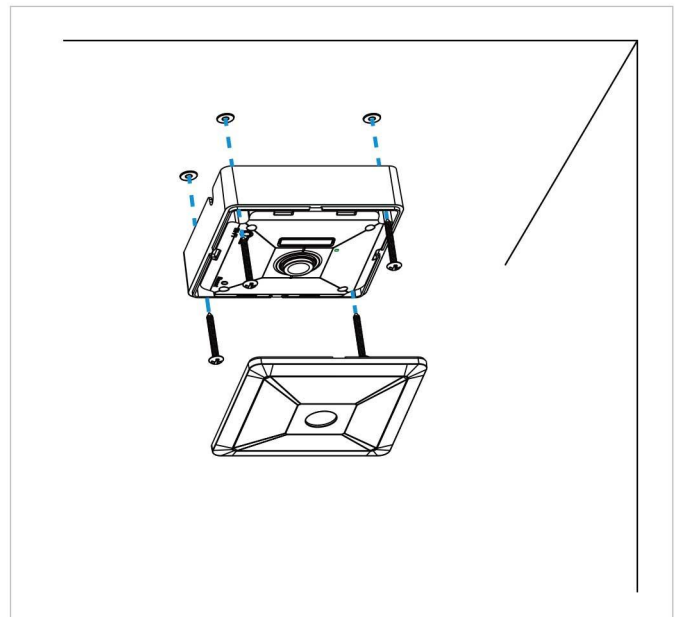
Ceiling Installation

Step 1: Ensure the thickness of ceiling is more than 30mm, then attach the mounting sticker to the ceiling and drill 4 holes with a diameter of 6mm.

Step 2: Fix the wall plugs into the ceiling holes.

Step 3: Remove the cover on the device, then fix the device to the wall plugs via mounting screws; remember to adjust the mounting direction according to the detection area requirement and direction sticker on the inner cover.

Step 4: Take the cover back to device; note that the Milesight Logo should be facing the LED indicator.



Milesight | www.milesight.com

Contact Us: sales@milesight.com support@milesight.com

Add: 220 NE 51st Street, Oakland Park, Florida 33334, USA
Tel: +1-800-561-0485

Add: 925, Anyang SK V1 Center, LS-ro 116beon-gil, Dongan-gu, Anvang-si, Korea
Tel: +82-31-990-7732

Add: Building C09, Software Park Phase III, Xiamen 361024, Fujian, China
Tel: +86-592-5922772

